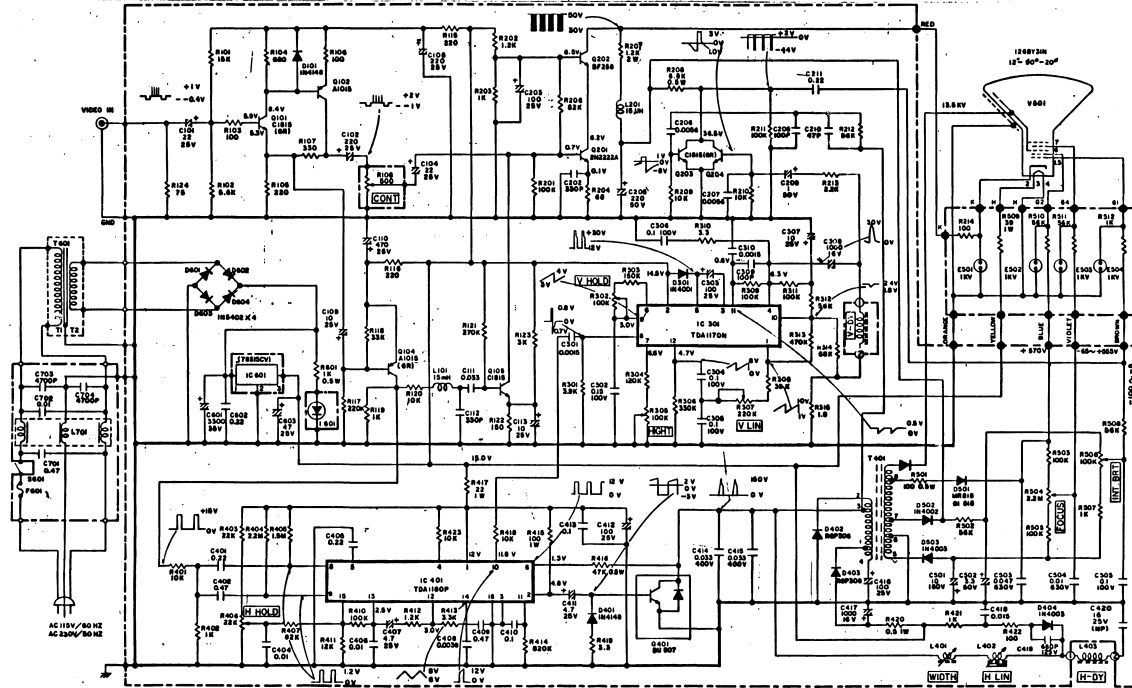


NOTE: UNLESS OTHERWISE SPECIFIED

1. ○ DENOTES HOUSING CONNECTOR
2. ● DIRECT
3. ALL WAVEFORMS MEASURED WITH STRONG SIGNAL INPUT. CONTRAST SET TO GIVE NORMAL PICTURE.

REV.	ZONE	ECO #	REVISION	APPD
A		0071	INITIAL RELEASE	



METRIC <small>DIMENSIONS ARE IN MILLIMETERS TOLERANCES:</small> X = ANGLES = DIN 1 X - LE DRAWING		apple computer inc. NOTICE OF PROPRIETARY PROPERTY THE INFORMATION CONTAINED HEREIN IS THE PROPRIETARY PROPERTY OF APPLE COMPUTER, INC. THE POSSESSOR AGREES TO THE FOLLOWING: (i) TO MAINTAIN THIS DOCUMENT IN CONFIDENCE (ii) NOT TO REPRODUCE OR COPY IT (iii) NOT TO REVEAL OR PUBLISH IT IN WHOLE OR PART	
MATERIAL: FINISH:		TITLE SCHEMATIC, MAIN ELECTRONICS, MONITOR II, DOMESTIC	
DEPT. CK HANDING 7/85 ENG. APPL. 10/85 RELEASE 11/85 DESIGNER	DEPT. CK 10/85 INFO. APPL. 11/85 AFG SCALE NONE	SIZE C	DRAWING NUMBER 050-5020-A
		SHT 1/1	

050-5020-A